

Wonpro®

Customer
(客戶名稱)
Prod. Series
(系列名稱)

R Series
(R 系列)

Spec. No.
(承認書編號)
P13.5

Version
(版本)
VER: A0
2008.08.18

Model Number
(型號)
R4T

Rated
(額定)
20A/250V~

Insulated Voltage
Proof (耐壓)
7KV

Specification Recognition

Main Material (主要材質)

NO.	Parts Name (細部名稱)	Material (材質)	Specification (規格)	Certification (安規認證)
1.	panel (面板)	PC	110	E56070
2.	base-socket (底座)	PC	110	E56070
3.	L-conducting strip L極導電片	Brass strip 黃銅	H62	
4.	N-conducting strip N極導電片	Brass strip 黃銅	H62	
5.	E-conducting strip E極導電片	Brass strip 黃銅	H62	
6.	screw 螺絲	Carbolic steel 碳鋼	PC400	

Per Packing Case (每一包裝外箱)

Packing Mode (包裝方式)	Q'TY (數量)	N. W. (淨重)	G. W. (毛重)	CUFT (材積)
Box: pcs/box (盒裝: 個/盒)				
Blister Card (吊卡裝)				

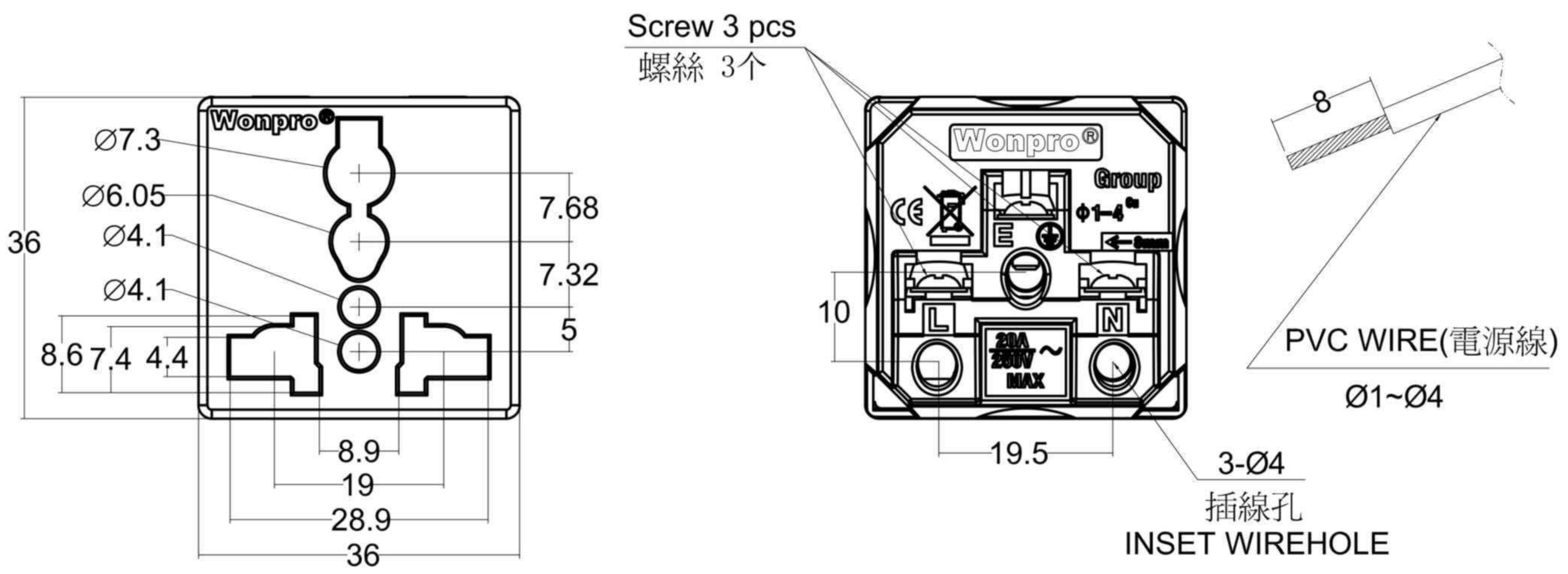
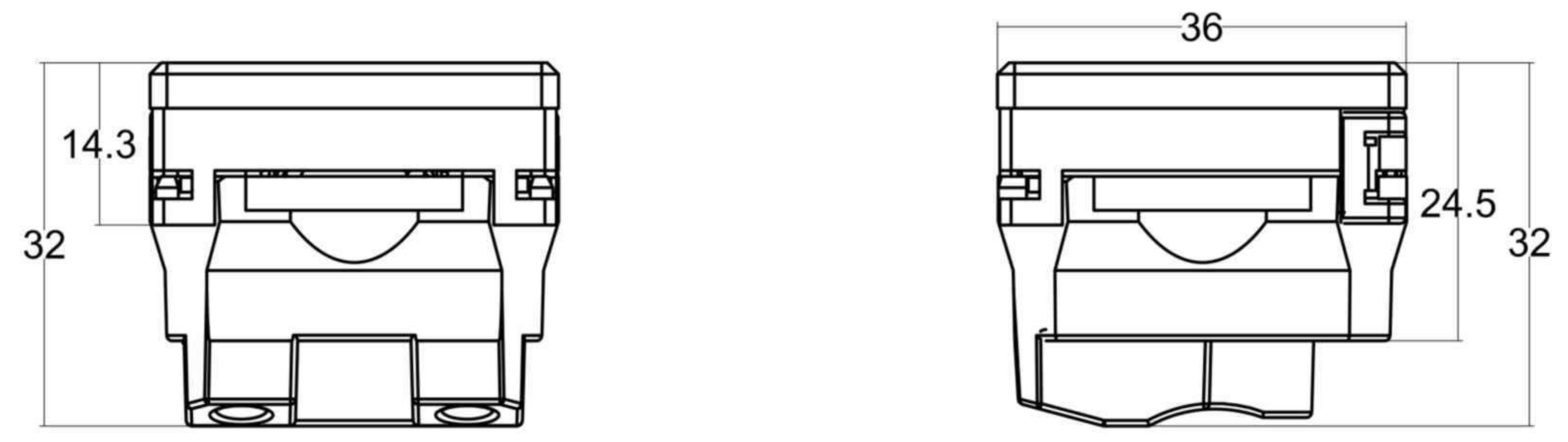
Caution (注意事項)

- IT DOSE NOT PERFORM VOLTAGE STEP-UP OR STEP-DOWN CONVERSION BETWEEN 125V AND 250V.
(本產品無電壓轉換之功能)
- WHEN USE, PLEASE CHECK AND ENSURE YOUR ELECTRONICS APPARATUS CAN WORK WITH THE LOCAL VOLTAGE.
(使用本產品時, 請確認你的電器產品是否適用於當地電壓)
- WHEN MARK WITH INPUT 100V-240V, IT CAN BE USED ON THE RECHARGER LIKE PORTABLE COMPUTER, MOBILE PHONE & DIGITAL CAMERA. NO NECESS SELECT THE VOLAGE.
(一般常用之手提電腦行動電話, 數位相機之充電器若有標示INPUT 100-240即可使用, 無需選擇電壓)
- WHEN DO NOT USE, PLEASE TAKE OFF AND DO NOT STAY ON THE RECEPTACLE FOR SAFE PURPOSE.
(不使用時請勿將產品留在插座上, 以確保安全)

Manufacturer: Prol (Xiamen) CO., LTD.
Address : 2F NO.3 Gaodian industrial estate , Huoju North Road , Huli Area , Xiamen Fujian Province China 361006
Web Site: www.wonpro.com

製造商: 普罗万電子科技(廈門)有限公司
電話: 86-592-5635050 傳真: 86-592-5635500
網址: www.wonpro.com
地址: 福建省廈門市湖裏區火炬北路高殿工業區3號二樓

±0.5



Model Number (型號)	R4T	Description (品名)	Universal Receptacle Screw type: 2p+E (萬用插座 鎖線式: 接地型)	Safety Certification	Quality Certification
Suitable for Area (適用國家)		All over the world (世界通用)		CE	